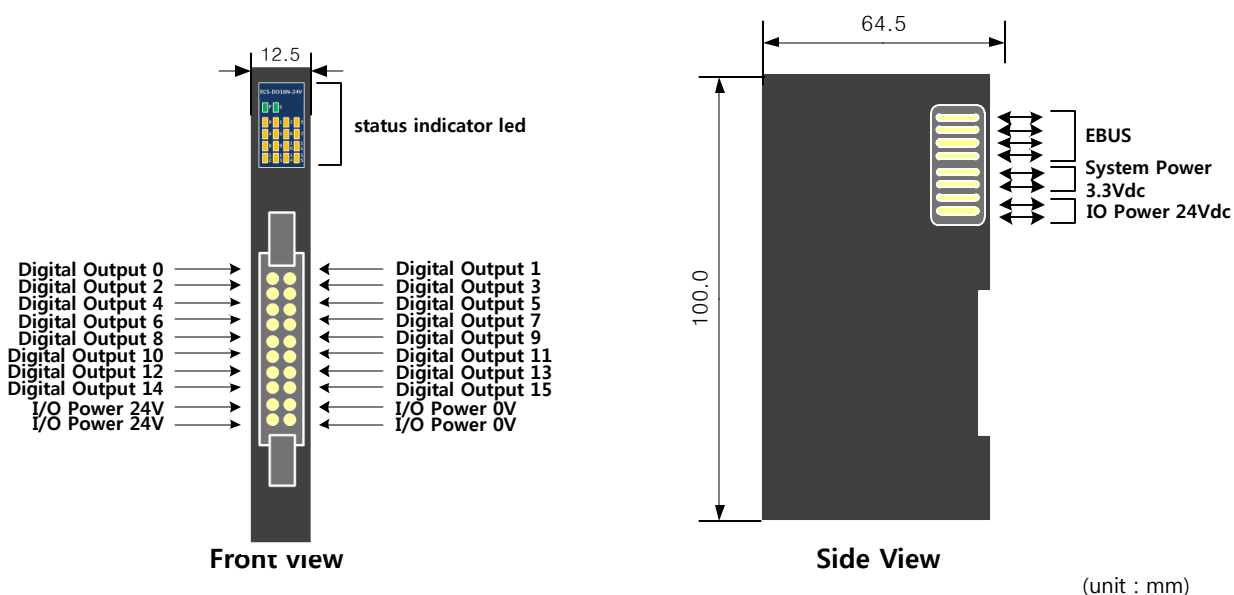




ECS-DO16N-24V | 16 Digital Output, 24V DC, 0.5A, Current Sinking

Outline Drawing



Specification

■ Digital Specification

ITEM	ECS-DO16N-24V
Number of Outputs	16 Output (1 wire)
Output type	MOSFET with Common Ground (NPN)
Isolation	Photo-coupler(Viso=3,000Vrms)
OFF State Current	Max. 100uA / Point
On State Max Sink Current	Max. 500mA / Point
Rds(On state resistance)	Max. 1.4Ω (±5%)
Over-Temperature Shutdown	160°C
Over-Current Shutdown	0.7A (Min.) ~ 2A (Max.)
Wiring contact	Ribbon Cable connector(HIF3B-20PA-2.54DS)

■ Power Specification

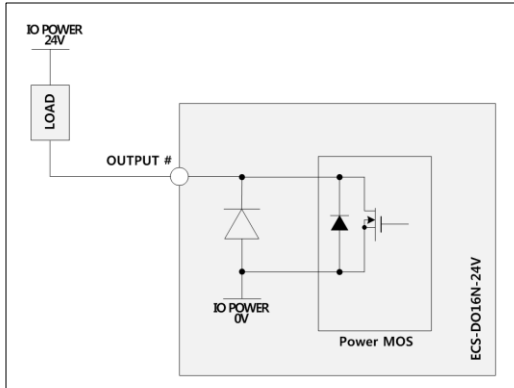
ITEM	ECS-DO16N-24V
Power Dissipation(System)	Max 100mA @ 5.0V DC
Power Dissipation(I/O)	Max 80mA @ 24.0V DC
Rated input voltage	24V DC (- 15%/+20%, ripple ratio within 5%) EN 61131-2

■ Environmental Specification

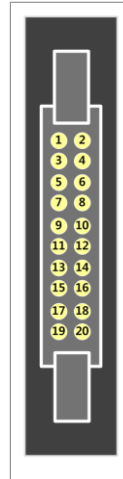
ITEM	ECS-DO16N-24V
Dimension	65 * 100 * 12.5 (mm)
Install	Industrial DIN rail
Operating Temperature Range	0°C ~ 50°C
Storage Temperature Range	-20°C ~ 80°C
Operating Humidity Range	5% ~ 90%RH, non-condensing
Storage Humidity Range	5% ~ 90%RH, non-condensing

Wiring

■ Circuit Diagram



■ PIN MAP



1	OUTPUT 0	2	OUTPUT 1
3	OUTPUT 2	4	OUTPUT 3
5	OUTPUT 4	6	OUTPUT 5
7	OUTPUT 6	8	OUTPUT 7
9	OUTPUT 8	10	OUTPUT 9
11	OUTPUT 10	12	OUTPUT 11
13	OUTPUT 12	14	OUTPUT 13
15	OUTPUT 14	16	OUTPUT 15
17	I/O PWR 24V	18	I/O PWR 0V
19	I/O PWR 24V	20	I/O PWR 0V

Indicators



P	SYSTEM POWER LED	ON	SYSTEM POWER(5V DC) ON
		OFF	SYSTEM POWER(5V DC) OFF
S	EtherCAT AL STATE LED	OFF	INIT
		Blinking(slow)	PRE-OP
		Single Flash	SAFE-OP
		ON	OP
0-15	OUTPUT STATE LED	Flickering(fast)	BOOTSTRAP
		ON	OUTPUT ON STATE (LOGIC '1')
		OFF	OUTPUT OFF STATE (LOGIC '0')

■ CAUTION