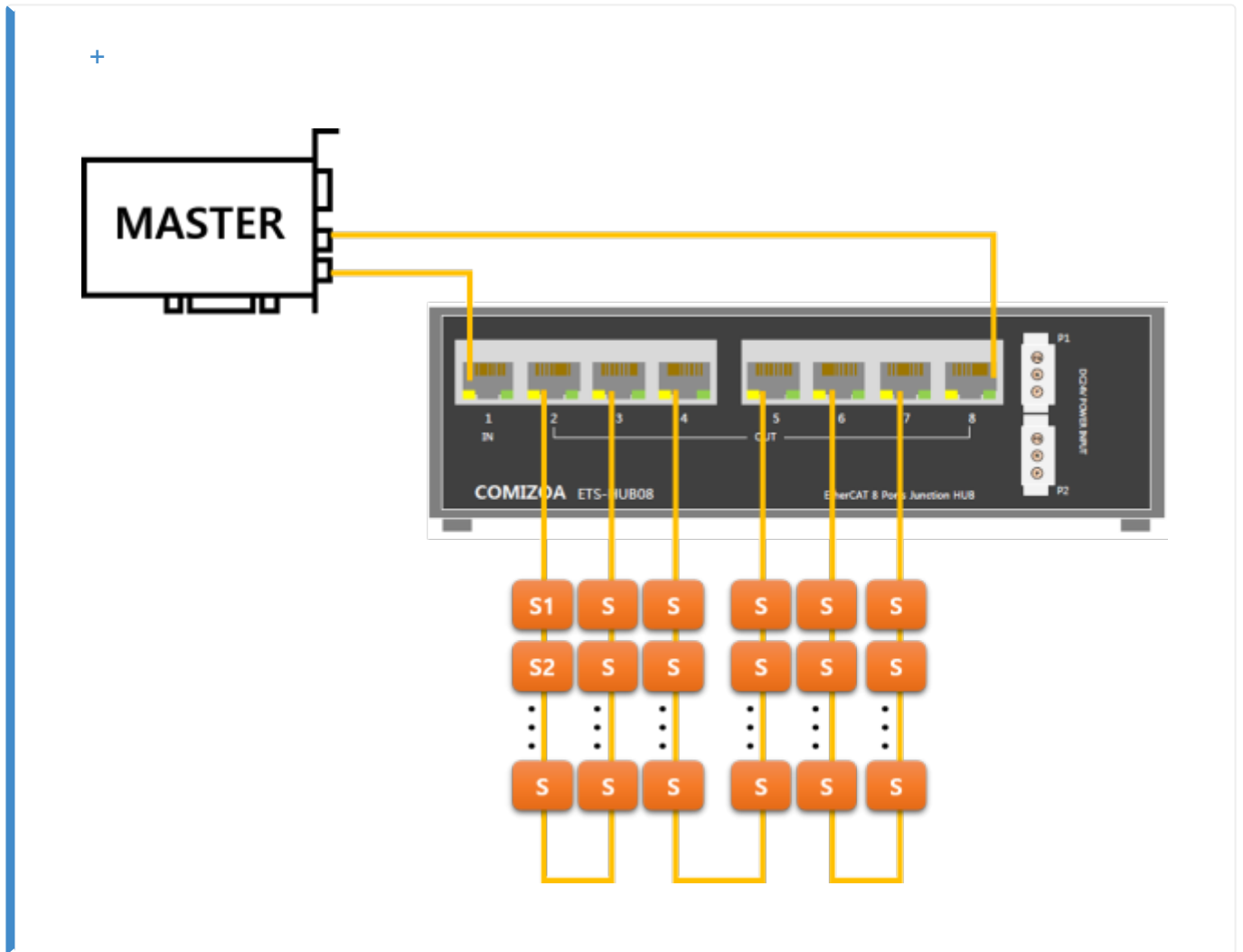


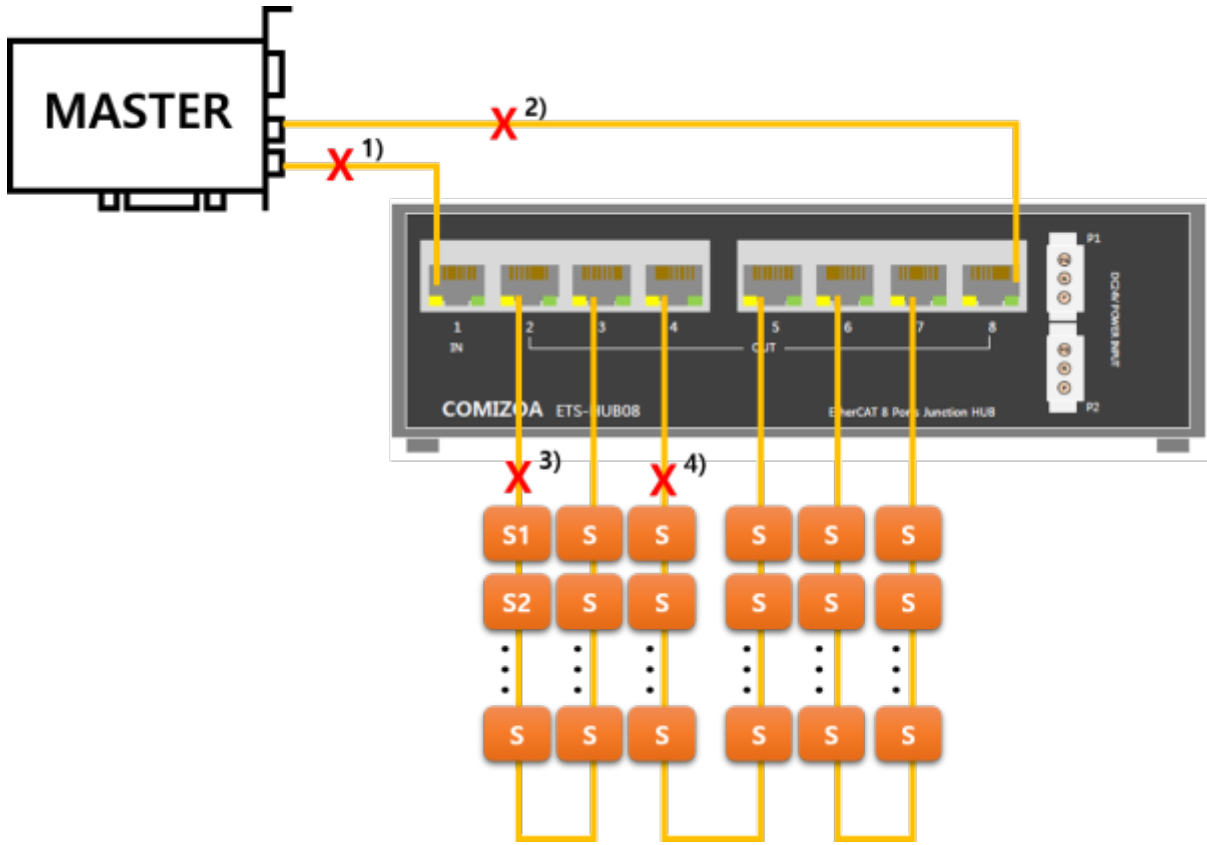
+ 1
+ 1

+

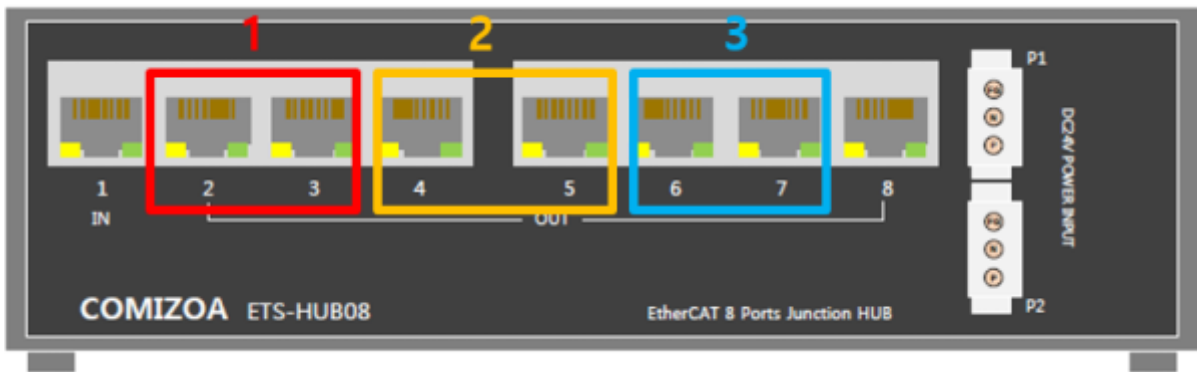
x Master Device



- Master Hub , Hub



- 1) 2) 3) 4)



- HUB , IN / OUT
 - 2 3
 - 4 5
 - 6 7
- - 1 , 2 3 가

x 2 , **Disconnect**

x , Master Data가 가 가

가 , ,

From:

<http://comizoa.co.kr/info/> - -

Permanent link:

http://comizoa.co.kr/info/doku.php?id=platform:ethercat:1_setup:05_topology:60_ring_ring

Last update: **2024/07/08 18:23**