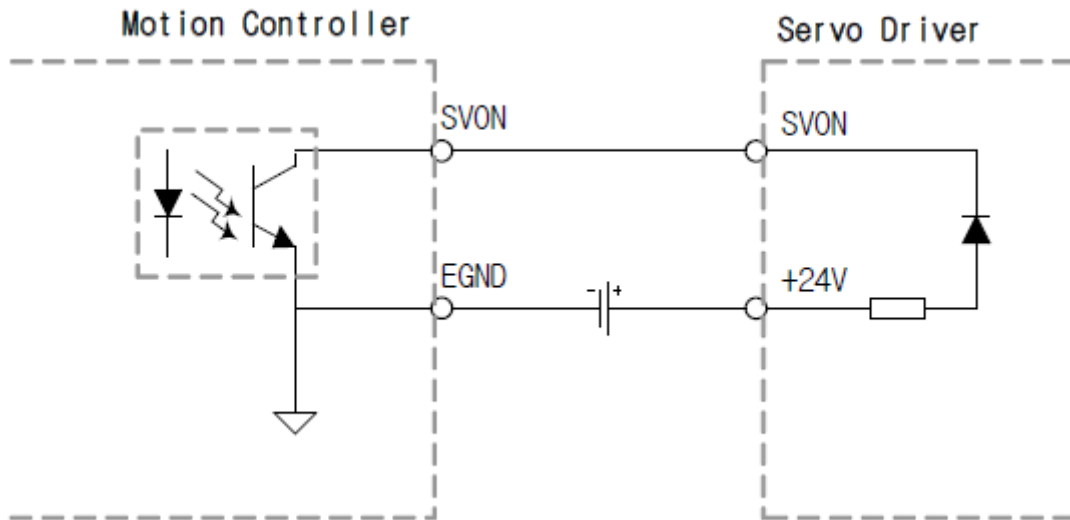


SVON (Servo-On)	.....	1
RDY (Ready)	.....	1
ALM (ALARM)	.....	2
INP (In-position)	.....	3
ERC ( )	.....	4

×

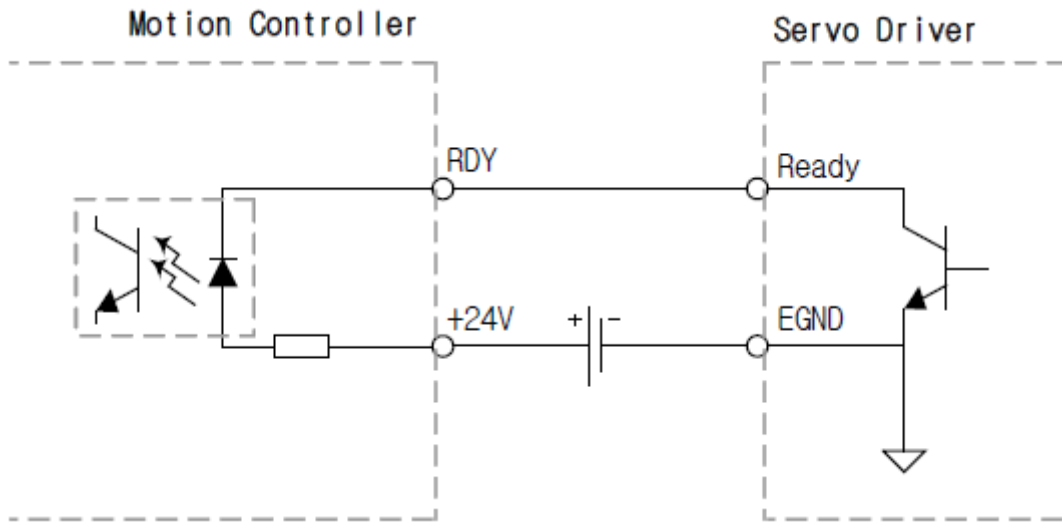
### SVON (Servo-On)

- ON/OFF  
SERVO-ON
- `cmmGnSetServoOn()`      SERVO ON/OFF  
SERVO-ON
- SVON



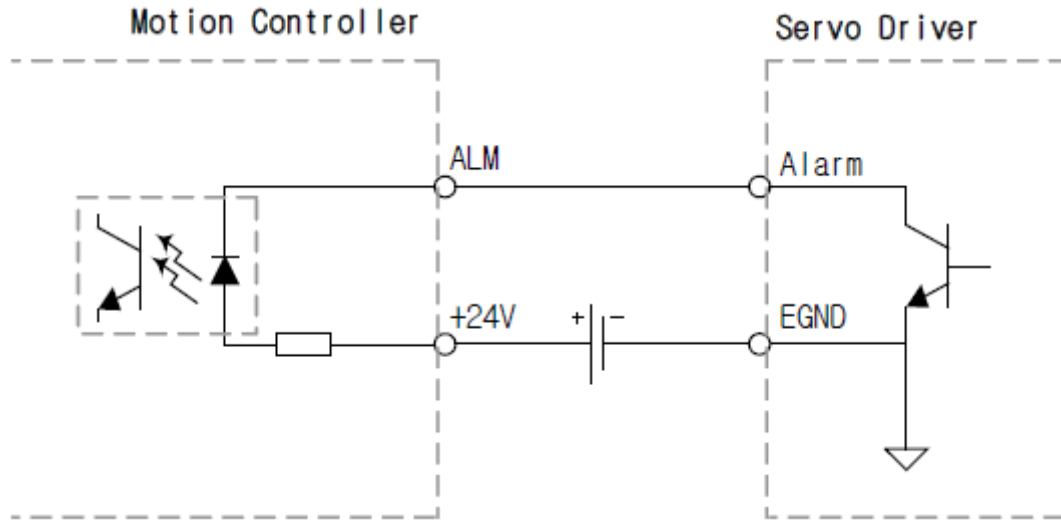
### RDY (Ready)

- RDY      가      SERVON-ON      가
- 가      SERVO-ON
- `cmmStReadMioStatuses()`      BIT0      RDY
- RDY



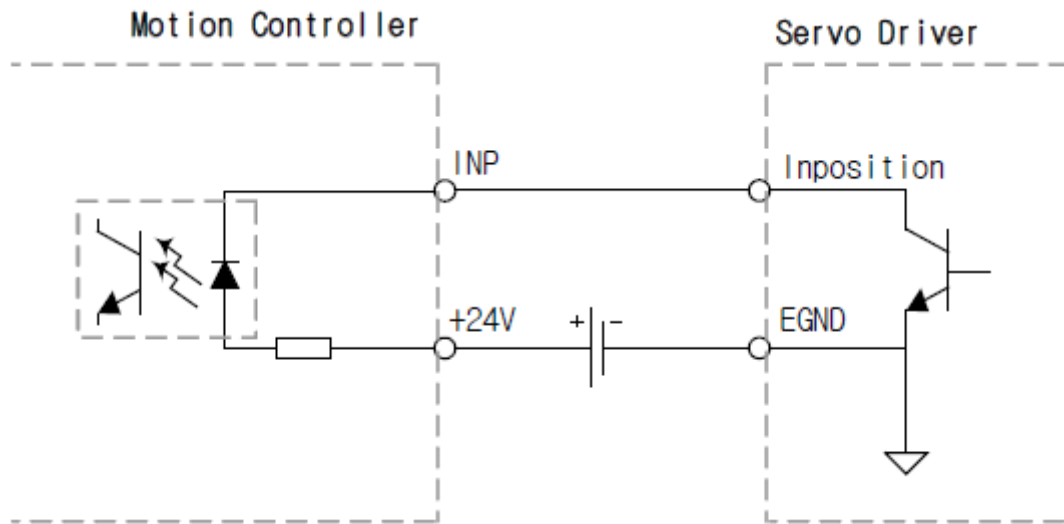
### ALM (ALARM)

- ALM ALARM
- ALM 가 ON
- ALM ALM ( , )
- ALM Application  
cmmCfgSetMioProperty
- ALM 가 ON , B  
ALM (Normal Close) ALM B
- ALM ALM B ALM  
GND



### INP (In-position)

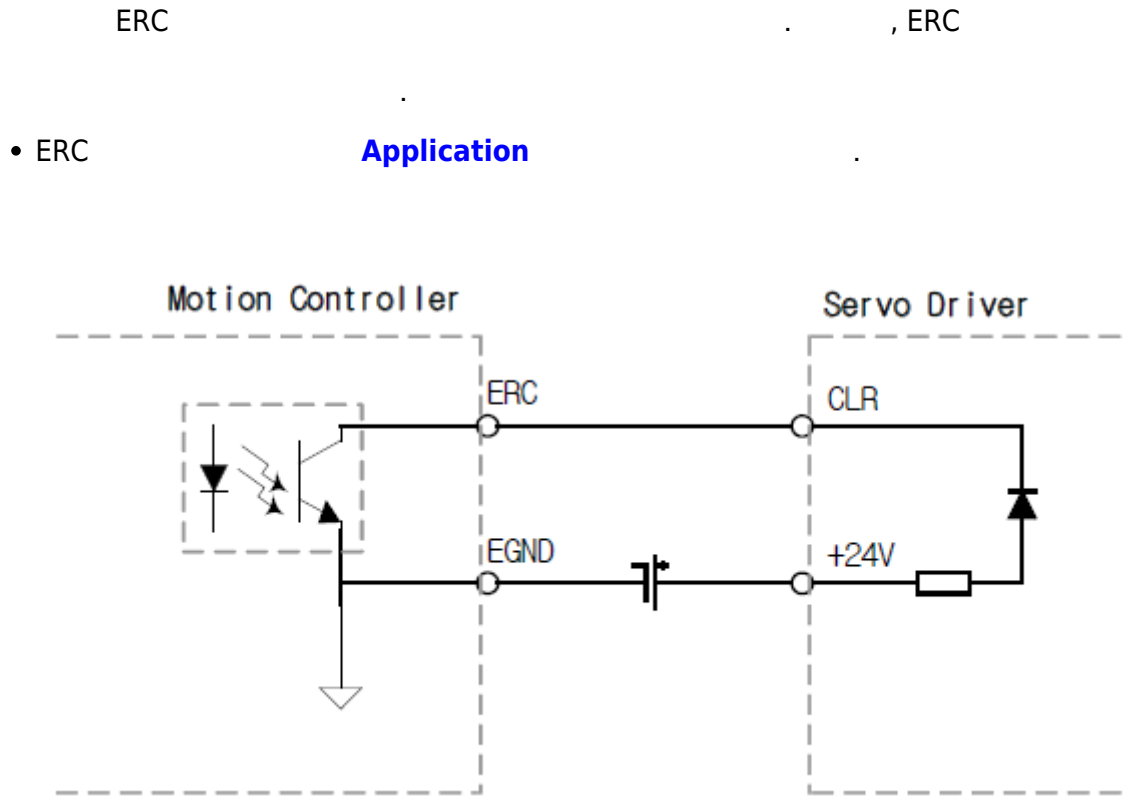
- INP (Deviation counter) Inposition-range ,
- 가 가
- 1) 0 0
- INP Inposition-range ON  
OFF가
- Inposition-range MITSUBISHI  
Param No.5 "In-position range"



- COMMAND
- INP (Enable) COMMAND
- INP 가 ON
- INP INP 가 ON
- INP INP 가 INP
- INP / Application  
cmmCfgSetMioProperty

ERC ( )

- (Deviation counter)
- 0 COMMAND
- 가
- ERC 0 COMMAND 가
- ERC ALM 가 ON
- EL ALM 가 “ ” , -/+EL ALM
- ERC 가
- ERC 가 (Tuning)



1)

(Deviation counter) (Command pulse) (Feedback pulse)

From:  
<http://comizoa.co.kr/info/> - -

Permanent link:  
[http://comizoa.co.kr/info/doku.php?id=platform:pulse:info:interface:servo\\_signal&rev=1547188346](http://comizoa.co.kr/info/doku.php?id=platform:pulse:info:interface:servo_signal&rev=1547188346)

Last update: **2024/07/08 18:22**