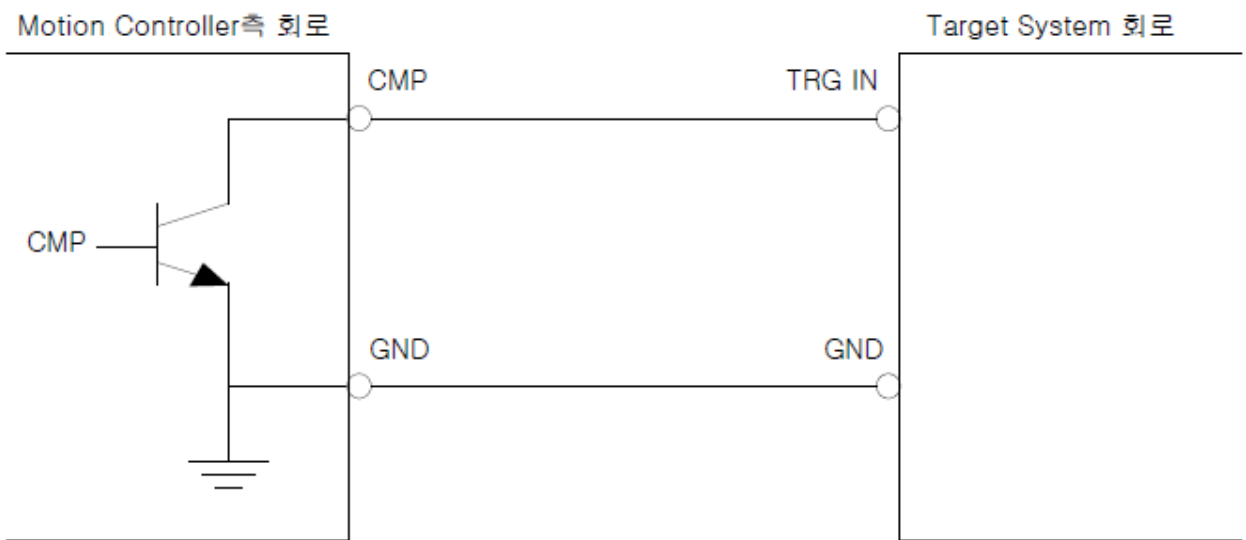


CMP ..... 1  
..... 2  
..... 3

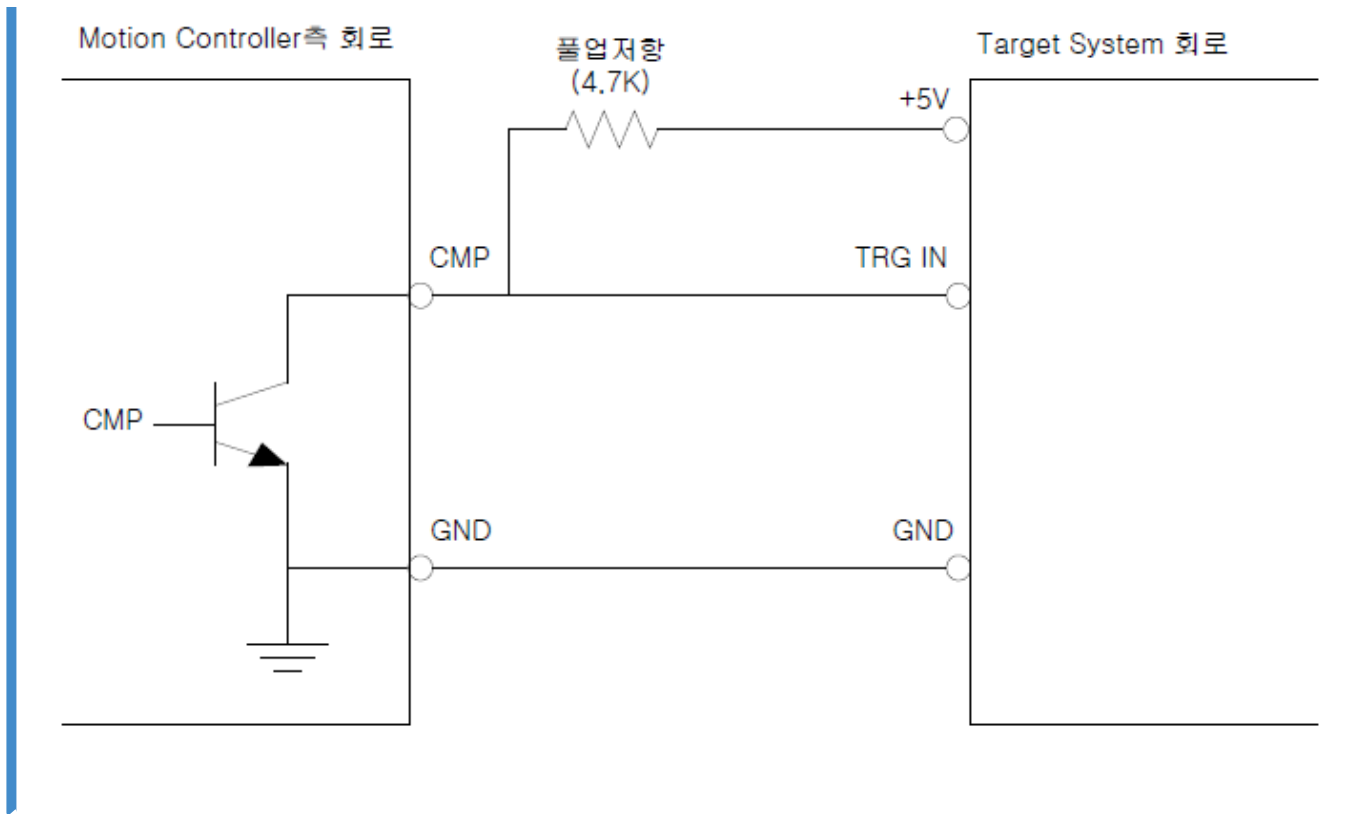
x

### CMP

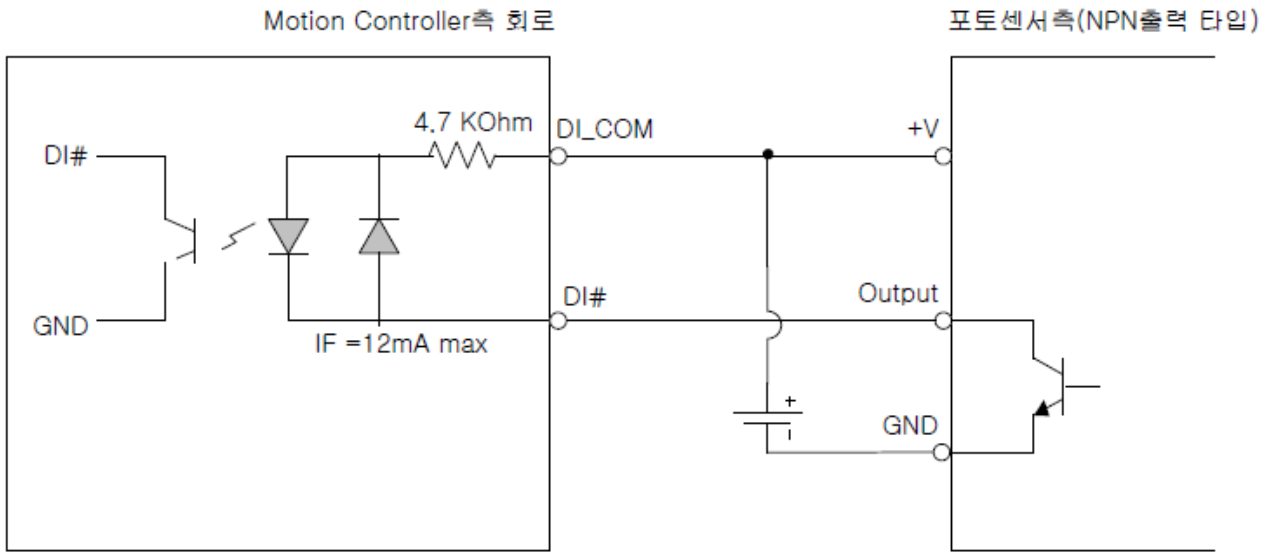
- COMI-LX50x 1)
- CMP
  - Machine Vision
  - [ (CMP)]
- CMP
  - Active High(Rising Edge )
  - Active Low(Falling Edge )
  - Active Low : 2  $\mu$ s
  - Active High : 40  $\mu$ s
  - **Active Low**
- CMP NPN Target System Isolated Input



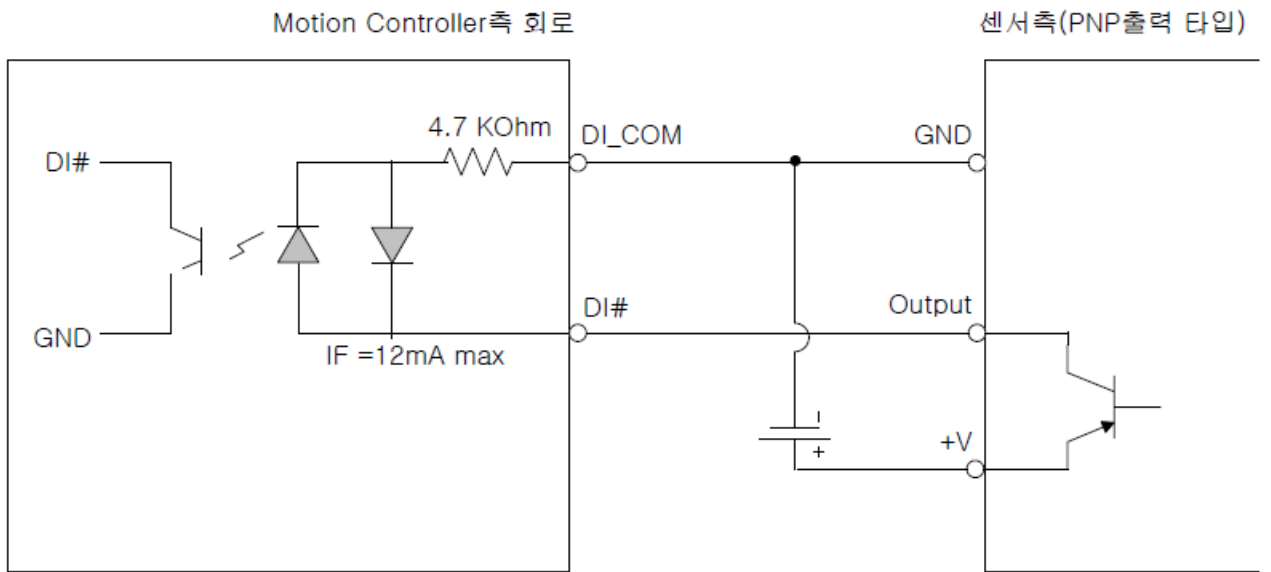
- Target System TTL Input Pull-up



- 
- Spec.
- Current sink      Current source
- NPN Type Sensor



- PNP Type Sensor

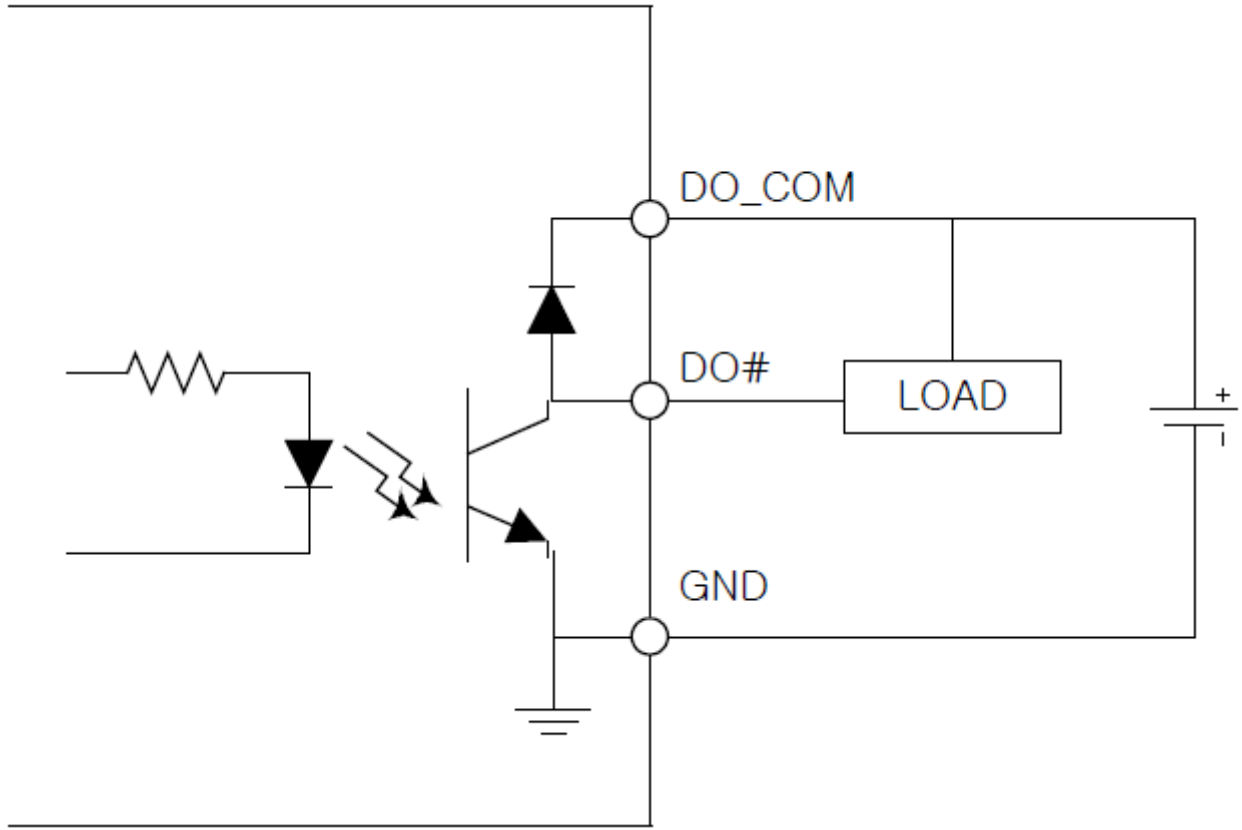


- 
- 

Spec.

- , “Common ground”
  - “ON” 가 (Sink current)가
  - , “OFF” 가 가
  - (Inductance) 가 (Load)
- DO\_COM** <sup>2)</sup>

Motion Controller측 회로



(Sink current) 20mA

1) Command counter      Position Counter      가      CMP

2) “Fly-wheel Diode”      가 “ON”      “OFF”

From:

<http://comizoa.co.kr/info/> - -

Permanent link:

[http://comizoa.co.kr/info/doku.php?id=platform:pulse:info:interface:signal\\_etc](http://comizoa.co.kr/info/doku.php?id=platform:pulse:info:interface:signal_etc)

Last update: **2024/07/08 18:23**