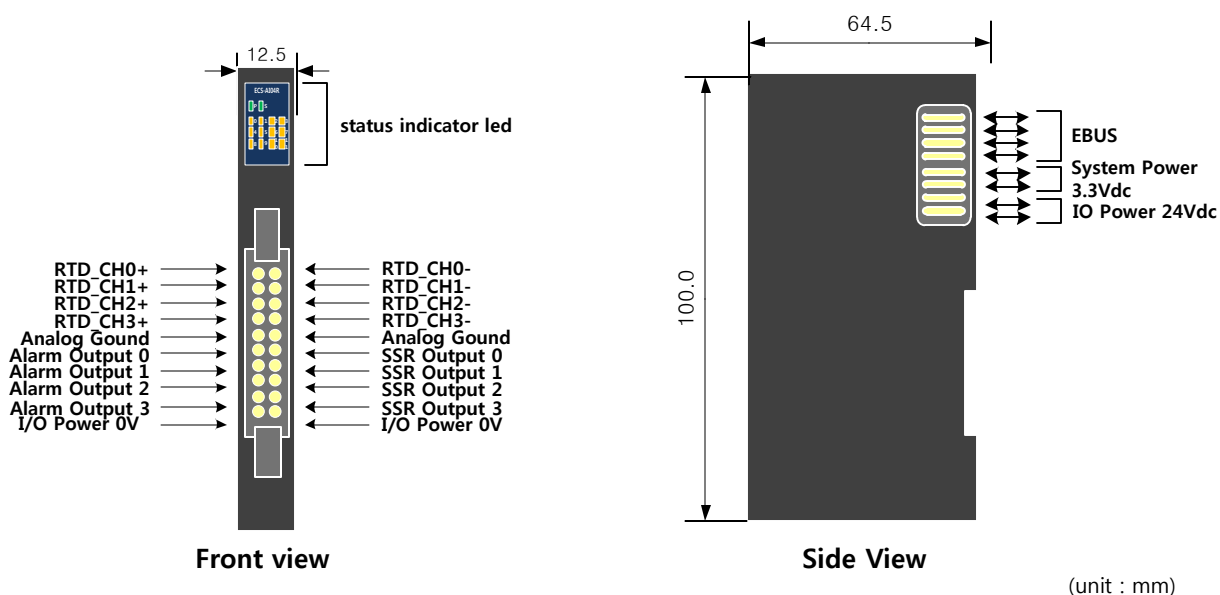




ECS-AI04R | 4 Analog Input, 24bit , PT-100(1000), SSR and Alarm Output

Outline Drawing



Specification

■ Analog Specification

ITEM	ECS-AI04R
Number of Inputs	4 input
Input type	Single Ended
Resolution	24bit
RTD Type	PT100 and PT1000 (2-wire)
Isolation	Non-isolated Between Channels I/O to Logic : Photo Coupler isolation(3KV)
Wiring contact	Ribbon Cable connector(HIF3B-20PA-2.54DS)

■ Digital Specification

ITEM	ECS-AI04R
Number of Output	8 output(4 SSR output, 4 Alarm output)
Input type	NPN type, Photo-coupler(Viso=3,000Vrms)

■ Power Specification

ITEM	ECS-AI04R
Power Dissipation(System)	Max. 100mA @ 5.0V DC
Power Dissipation(I/O)	Max. 30mA @ 24.0V DC
Rated Input Voltage	24V DC (-15%/+20%, ripple ratio within 5%) EN 61131-2

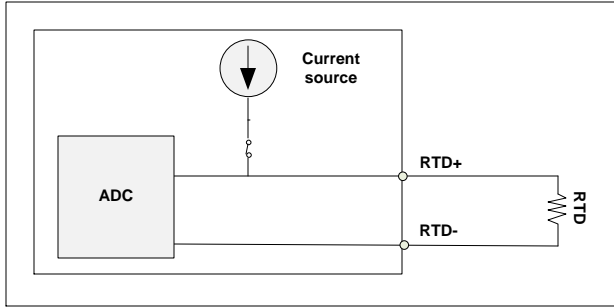
■ Environmental Specification

ITEM	ECS-AI04R
Dimension	65 * 100 * 12.5 (mm)
Install	Industrial DIN rail
Operating Temperature Range	0°C ~ 50°C
Storage Temperature Range	-20°C ~ 80°C
Operating Humidity Range	5% ~ 90%RH, non-condensing
Storage Humidity Range	5% ~ 90%RH, non-condensing

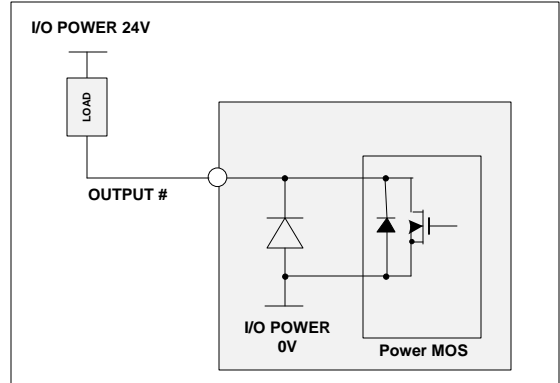
Wiring

■ Circuit Diagram

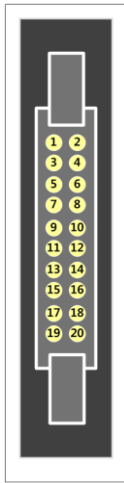
Analog Input



Digital Output

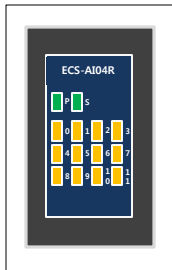


■ PIN MAP



1	RTD_CH0+	2	RTD_CH0-
3	RTD_CH1+	4	RTD_CH1-
5	RTD_CH2+	6	RTD_CH2-
7	RTD_CH3+	8	RTD_CH3-
9	Analog Gnd	10	Analog Gnd
11	Alarm Ouput #0	12	SSR Output #0
13	Alarm Ouput #1	14	SSR Output #1
15	Alarm Ouput #2	16	SSR Output #2
17	Alarm Ouput #3	18	SSR Output #3
19	I/O PWR 0V	20	I/O PWR 0V

Indicators



P	SYSTEM POWER LED	ON	SYSTEM POWER(5V DC) ON
		OFF	SYSTEM POWER(5V DC) OFF
S	EtherCAT AL STATE LED	OFF	INIT
		Blinking(slow)	PRE-OP
		Single Flash	SAFE-OP
		ON	OP
		Flickering(fast)	BOOTSTRAP
0-3	RTD STATE LED	ON	RTD CHANNEL ON
		OFF	RTD CHANNEL OFF
4-15	OUTPUT STATE LED	ON	OUTPUT ON STATE (LOGIC '1')
		OFF	OUTPUT OFF STATE (LOGIC '0')

■ CAUTION