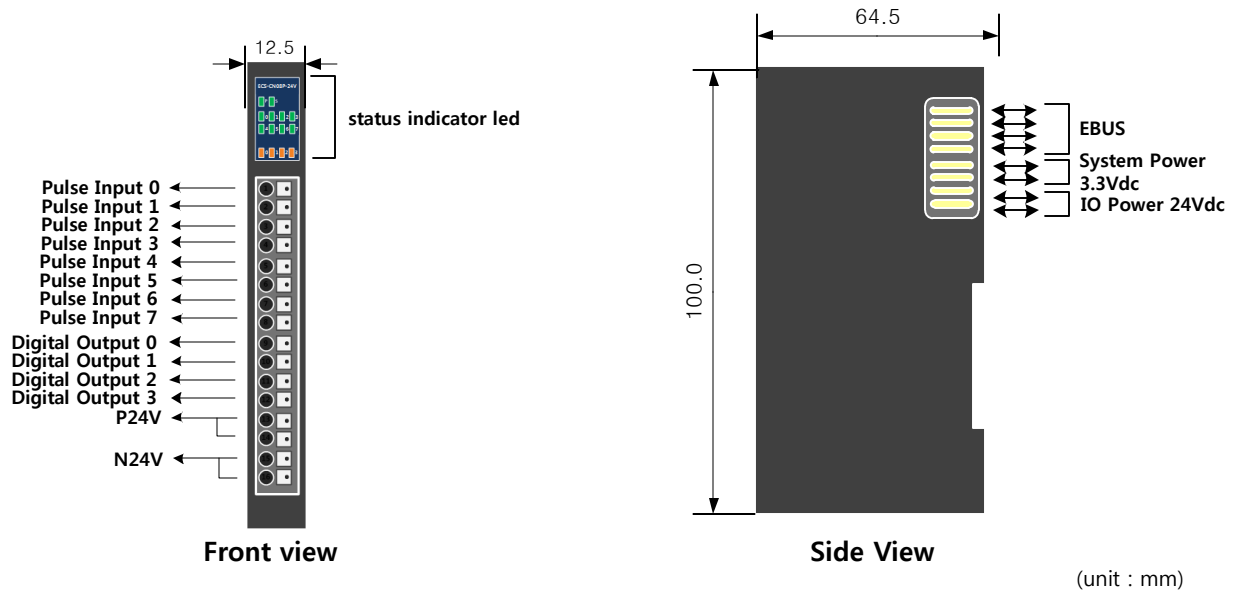




ECS-CN08P-24V | 8 Pulse Counter, 32bit , 50KHz

Outline Drawing



Specification

Counter Specification

ITEM	ECS-CN08P-24V
Number of Inputs	8 Inputs
Input type	Pluse
Resolution	32bits
Max. Speed	50kHz
Isolation	Non-isolated Between Channels I/O to Logic : Photo Coupler isolation(3KV)
Wiring contact	LSF-SMT3.5-16P (Weidmuller)

Power Specification

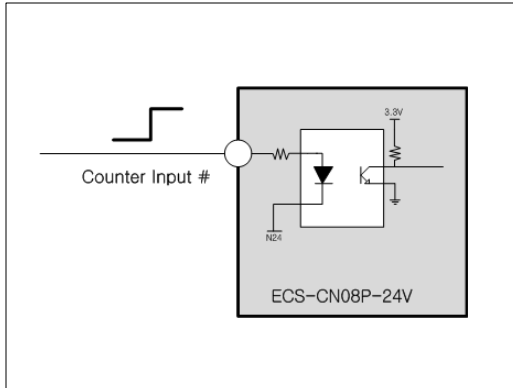
ITEM	ECS-AO04IH-420
Power Dissipation(System)	Max 100mA @ 5.0V DC
Power Dissipation(I/O)	Max 80mA @ 24.0V DC
Rated input voltage	24V DC (- 15%/+20%, ripple ratio within 5%) EN 61131-2

Environmental Specification

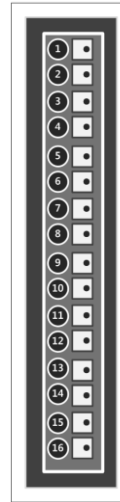
ITEM	ECS-AO04IH-420
Dimension	65 * 100 * 12.5 (mm)
Install	Industrial DIN rail
Operating Temperature Range	0°C ~ 50°C
Storage Temperature Range	-20°C ~ 80°C
Operating Humidity Range	5% ~ 90%RH, non-condensing
Storage Humidity Range	5% ~ 90%RH, non-condensing

Wiring

▣ Circuit Diagram

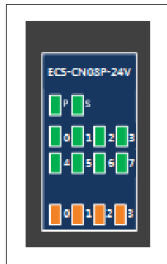


▣ PIN MAP



1	Pulse Input 0
2	Pulse Input 1
3	Pulse Input 2
4	Pulse Input 3
5	Pulse Input 4
6	Pulse Input 5
7	Pulse Input 6
8	Pulse Input 7
9	Digital Output 0
10	Digital Output 1
11	Digital Output 2
12	Digital Output 3
13	P24V
14	P24V
15	N24V
16	N24V

Indicators



P	SYSTEM POWER LED	ON	SYSTEM POWER(5V DC) ON
		OFF	SYSTEM POWER(5V DC) OFF
S	EtherCAT AL STATE LED	OFF	INIT
		Blinking(slow)	PRE-OP
		Single Flash	SAFE-OP
		ON	OP
0~7	Counter State LED	Flickering(fast)	BOOTSTRAP
		ON	Counter Input State
0~3	Digital Output State LED	OFF	Power-Down State
		ON	Output On State(Logic = '1')
		OFF	Output Off State(Logic = '0')