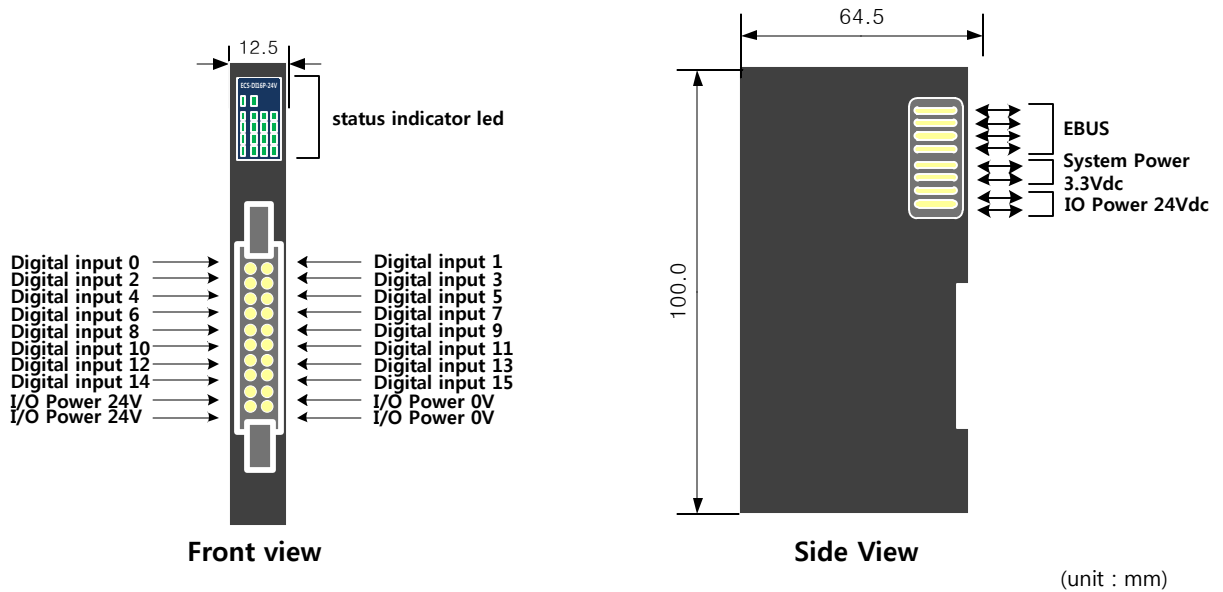




ECS-DI16P-24V | 16 Digital Input, 24V DC, Current Sourcing

Outline Drawing



Specification

Digital Specification

ITEM	ECS-DI16P-24V
Number of Inputs	16 input (1 Wire)
Input type	Current Sourcing type
Isolation	Photo-coupler(Viso=3,000Vrms)
On State Voltage(logic '1')	Min. 11V DC ~ Max 28.8 V DC EN61131-2, type 1/3
Off State Voltage(logic '0')	Max 5V DC EN61131-2, type 1/3
On State Current	Max. 5.5mA per @ 28.8V DC
Input Impedance	Approx. 5KΩ(±5%)
Wiring Contact	Ribbon Cable Connector(HIF3B-20PA-2.54DS)

Power Specification

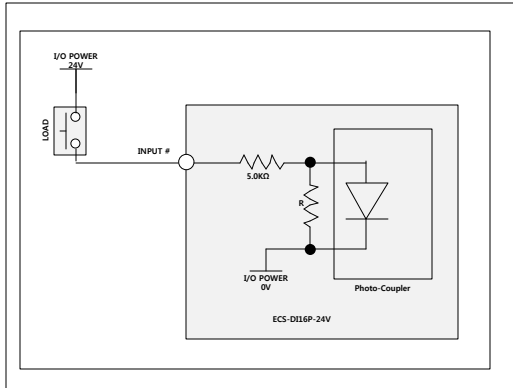
ITEM	ECS-DI16P-24V
Power Dissipation(System)	Max. 100mA @ 5.0V DC
Power Dissipation(I/O)	Max. 30mA @ 24.0V DC
Rated Input Voltage	24V DC (-15%/+20%, ripple ratio within 5%) EN 61131-2

Environmental Specification

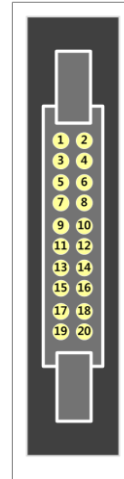
ITEM	ECS-DI16P-24V
Dimension	65 * 100 * 12.5 (mm)
Install	Industrial DIN rail
Operating Temperature Range	0°C ~ 50°C
Storage Temperature Range	-20°C ~ 80°C
Operating Humidity Range	5% ~ 90%RH, non-condensing
Storage Humidity Range	5% ~ 90%RH, non-condensing

Wiring

■ Circuit Diagram



■ PIN MAP



1	INPUT 0	2	INPUT 1
3	INPUT 2	4	INPUT 3
5	INPUT 4	6	INPUT 5
7	INPUT 6	8	INPUT 7
9	INPUT 8	10	INPUT 9
11	INPUT 10	12	INPUT 11
13	INPUT 12	14	INPUT 13
15	INPUT 14	16	INPUT 15
17	I/O PWR 24V	18	I/O PWR 0V
19	I/O PWR 24V	20	I/O PWR 0V

Indicators



P	SYSTEM POWER LED	ON	SYSTEM POWER(5V DC) ON
		OFF	SYSTEM POWER(5V DC) OFF
S	EtherCAT AL STATE LED	OFF	INIT
		Blinking(slow)	PRE-OP
		Single Flash	SAFE-OP
		ON	OP
0-15	INPUT STATE LED	Flickering(fast)	BOOTSTRAP
		ON	INPUT ON STATE (LOGIC '1')
		OFF	INPUT OFF STATE (LOGIC '0')

■ CAUTION