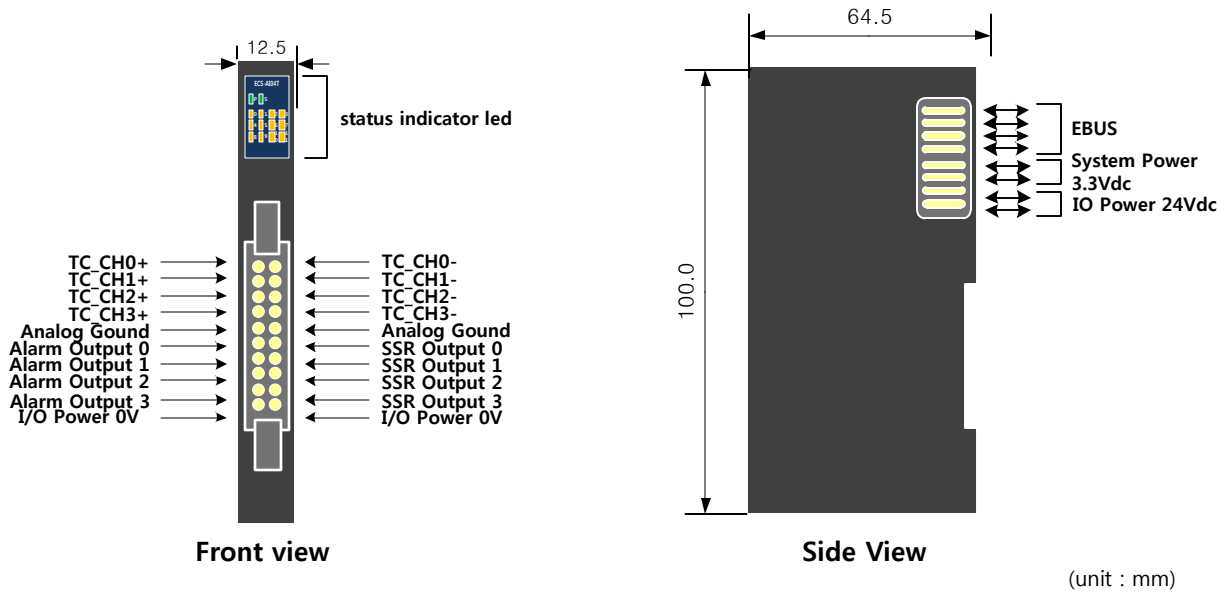




ECS-AI04T | 4 Analog Input, 24bit , SSR and Alarm Output

Outline Drawing



Specification

■ Analog Specification

ITEM	ECS-AI04T
Number of Inputs	4 input
Input type	Single Ended
Resolution	24bit
TC Type	B, E, J, K, N, R, S and T-Type
Isolation	Non-isolated Between Channels I/O to Logic : Photo Coupler isolation(3KV)
Wiring contact	Ribbon Cable connector(HIF3B-20PA-2.54DS)

■ Digital Specification

ITEM	ECS-AI04T
Number of Output	8 output(4 SSR output, 4 Alarm output)
Input type	NPN type, Photo-coupler(Viso=3,000Vrms)

■ Power Specification

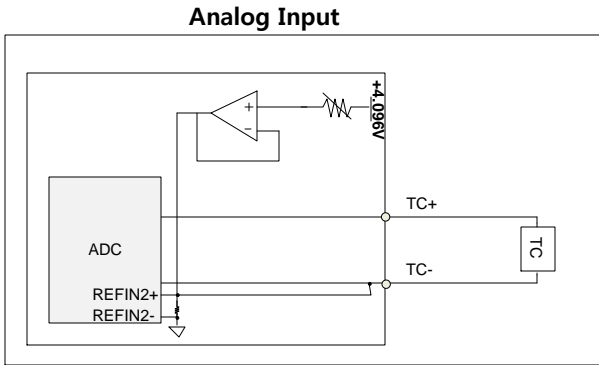
ITEM	ECS-AI04T
Power Dissipation(System)	Max. 100mA @ 5.0V DC
Power Dissipation(I/O)	Max. 30mA @ 24.0V DC
Rated Input Voltage	24V DC (-15%/+20%, ripple ratio within 5%) EN 61131-2

■ Environmental Specification

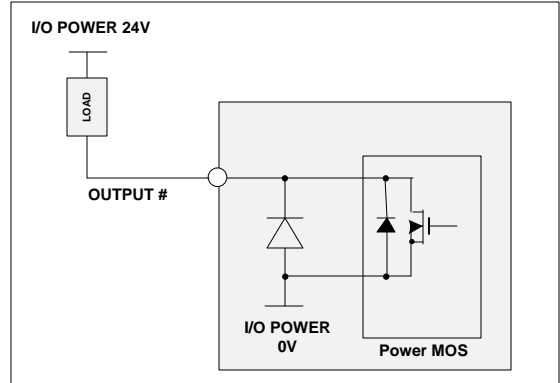
ITEM	ECS-AI04T
Dimension	65 * 100 * 12.5 (mm)
Install	Industrial DIN rail
Operating Temperature Range	0°C ~ 50°C
Storage Temperature Range	-20°C ~ 80°C
Operating Humidity Range	5% ~ 90%RH, non-condensing
Storage Humidity Range	5% ~ 90%RH, non-condensing

Wiring

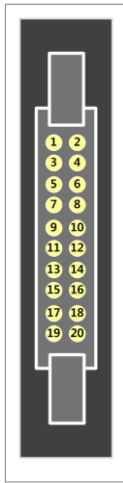
■ **Circuit Diagram**



Digital Output

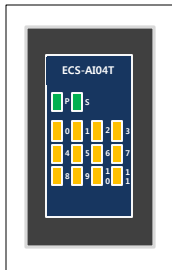


■ **PIN MAP**



1	TC_CH0+	2	TC_CH0-
3	TC_CH1+	4	TC_CH1-
5	TC_CH2+	6	TC_CH2-
7	TC_CH3+	8	TC_CH3-
9	Analog Gnd	10	Analog Gnd
11	Alarm Ouput #0	12	SSR Output #0
13	Alarm Ouput #1	14	SSR Output #1
15	Alarm Ouput #2	16	SSR Output #2
17	Alarm Ouput #3	18	SSR Output #3
19	I/O PWR 0V	20	I/O PWR 0V

Indicators



P	SYSTEM POWER LED	ON	SYSTEM POWER(5V DC) ON
		OFF	SYSTEM POWER(5V DC) OFF
S	EtherCAT AL STATE LED	OFF	INIT
		Blinking(slow)	PRE-OP
		Single Flash	SAFE-OP
		ON	OP
0-3	TC STATE LED	Flickering(fast)	BOOTSTRAP
		ON	TC CHANNEL ON
4-15	OUTPUT STATE LED	OFF	TC CHANNEL OFF
		ON	OUTPUT ON STATE (LOGIC '1')
		OFF	OUTPUT OFF STATE (LOGIC '0')

■ CAUTION