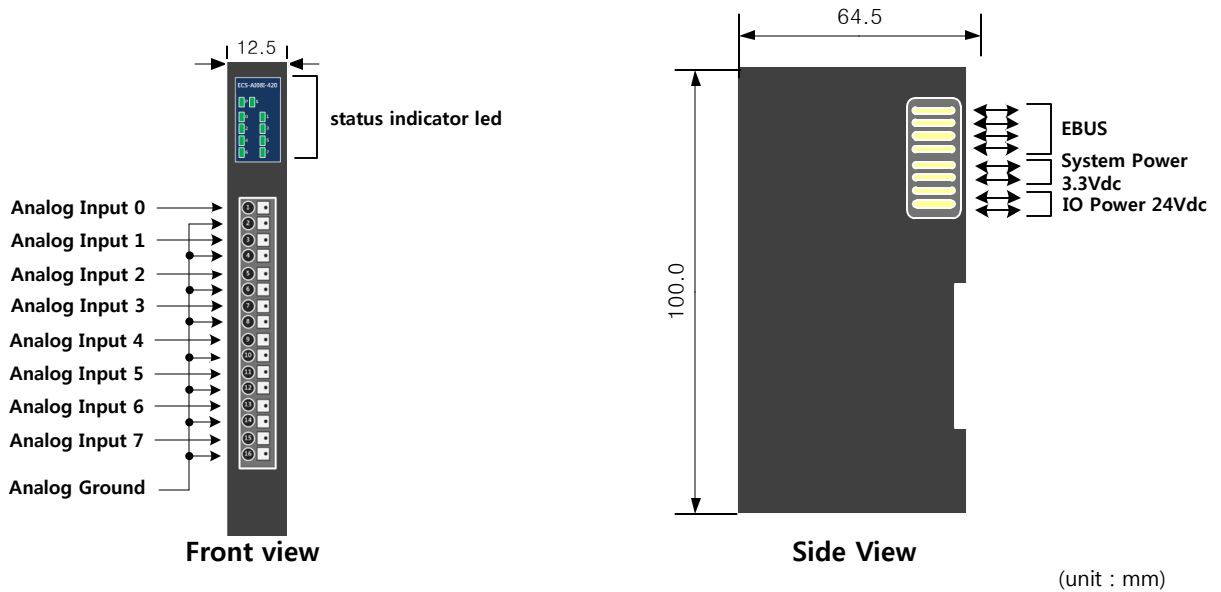




# ECS-AI08I-420 | 8 Analog Input, 12bit , Current 4~20mA, 10KSPS/8CH

## Outline Drawing



## Specification

### ■ Analog Specification

ITEM	ECS-AI08I-420
Number of Inputs	8 input
Input type	Single Ended
Resolution	13bit(2's Compliment)
Voltage Input Range	4~20mA DC
Isolation	Non-isolated Between Channels I/O to Logic : Photo Coupler isolation(3KV)
Error	Bipolar Zero Error : $\pm 10.5$ LSB Positive Full-Scale Error : $\pm 5$ LSB Negative Full-Scale Error : $\pm 5$ LSB
Input Impedance	Approx. $250\Omega$ ( $\pm 5\%$ )
Wiring contact	LSF-SMT3.5-16P (Weidmuller)

### ■ Power Specification

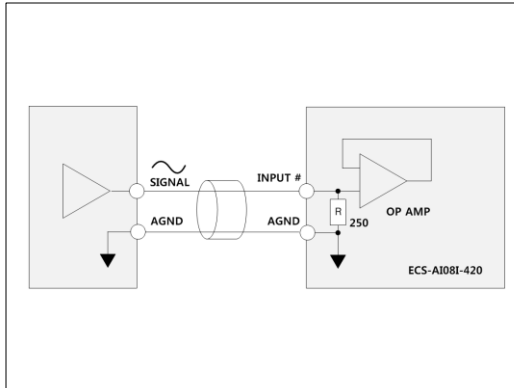
ITEM	ECS-AI08I-420
Power Dissipation(System)	Max 100mA @ 5.0V DC
Power Dissipation(I/O)	Max 50mA @ 24.0V DC
Rated input voltage	24V DC (- 15%/+20%, ripple ratio within 5%) EN 61131-2

### ■ Environmental Specification

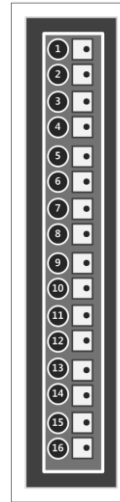
ITEM	ECS-AI08I-420
Dimension	65 * 100 * 12.5 (mm)
Install	Industrial DIN rail
Operating Temperature Range	0°C ~ 50°C
Storage Temperature Range	-20°C ~ 80°C
Operating Humidity Range	5% ~ 90%RH, non-condensing
Storage Humidity Range	5% ~ 90%RH, non-condensing

Wiring

Circuit Diagram

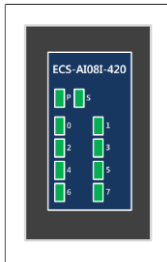


PIN MAP



1	INPUT 0
2	AGND
3	INPUT 1
4	AGND
5	INPUT 2
6	AGND
7	INPUT 3
8	AGND
9	INPUT 4
10	AGND
11	INPUT 5
12	AGND
13	INPUT 6
14	AGND
15	INPUT 7
16	AGND

Indicators



P	SYSTEM POWER LED	ON	SYSTEM POWER(5V DC) ON
		OFF	SYSTEM POWER(5V DC) OFF
S	EtherCAT AL STATE LED	OFF	INIT
		Blinking(slow)	PRE-OP
		Single Flash	SAFE-OP
		ON	OP
0-7	INPUT STATE LED	Flickering(fast)	BOOTSTRAP
		ON	RUN SAMPLING
		OFF	STOP SAMPLING

Analog Data

