

# ETS Hardware Reference Manual



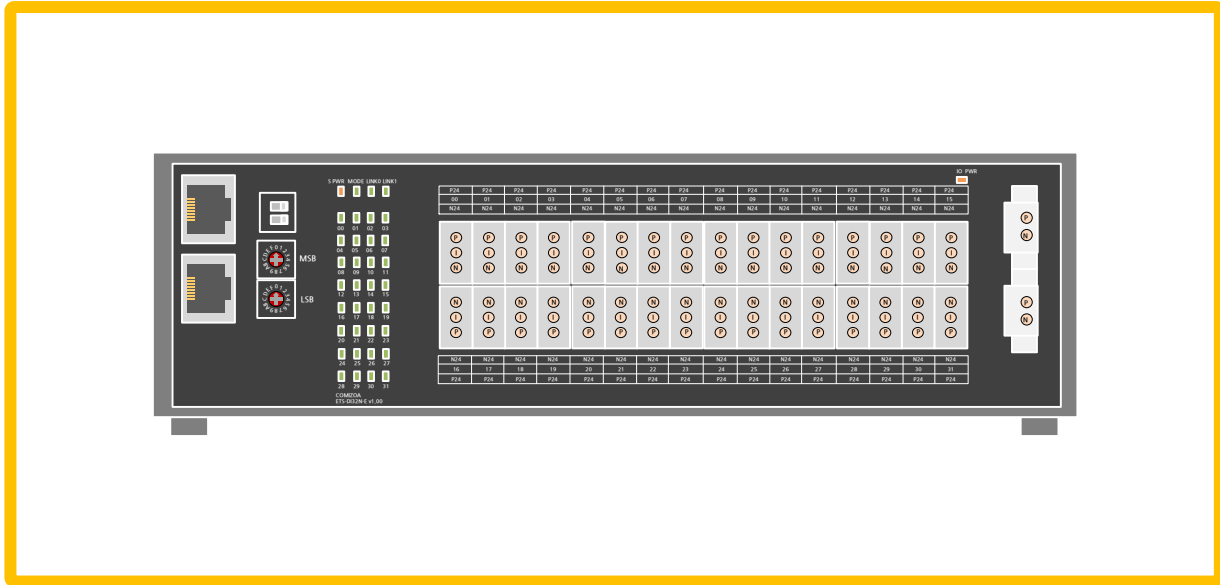
32CHANNEL DIGITAL NPN TYPE INPUT MODULE

ETS-DI32N-E (v1.00)

OCT 2017  
©2017 COMIZOA, All rights reserved

## Table Of Contents

|   |                         |   |
|---|-------------------------|---|
| 1 | 개요 .....                | 1 |
| 2 | Specification .....     | 2 |
| 3 | Block diagram .....     | 3 |
| 4 | Circuit diagram .....   | 3 |
| 5 | Interface Connect ..... | 4 |
| 6 | Device ID Setting ..... | 4 |
| 7 | Connector .....         | 5 |
| 8 | Status LED .....        | 6 |

**개요**

**ETS - DI32N - E (Digital NPN Input 32ch)**

ETS-DI32N-E는 커미조아의 EtherCAT 기반 제어기의 32채널 Digital 입력 모듈입니다.

각 채널의 내부 제어신호와 외부 입출력 신호는 포토커플러를 사용하여 절연됩니다.

본 매뉴얼은 ETS-DI32N-E의 하드웨어 구성과 기능에 대해 설명하는 하드웨어 매뉴얼입니다.

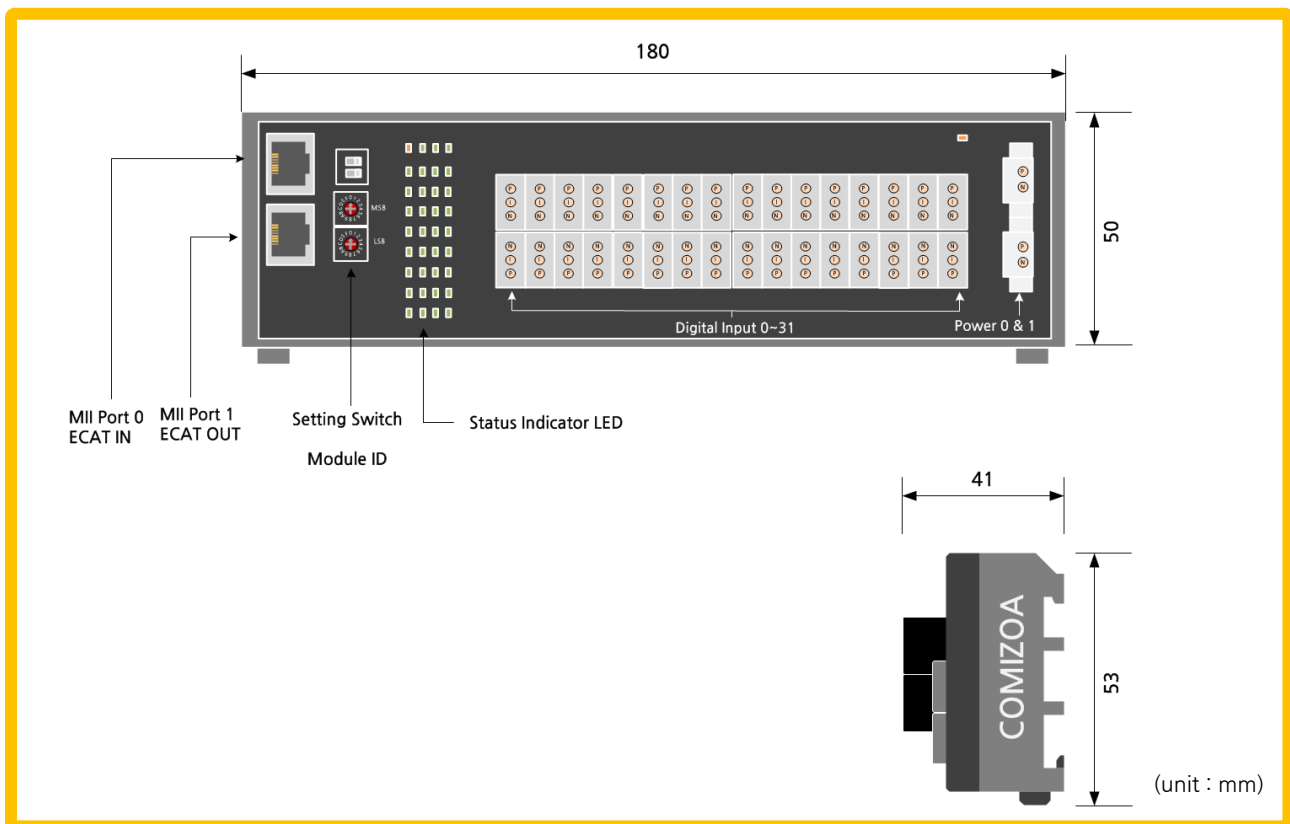
- EtherCAT Slave Module
- CiA Standard 401 and ETG.5001 Modular Device Profile
- Supports Terminal Device ID
- Digital I/O Power Over Current Protection
- Digital Input 32(NPN)
- Independent System Power

**Specification**

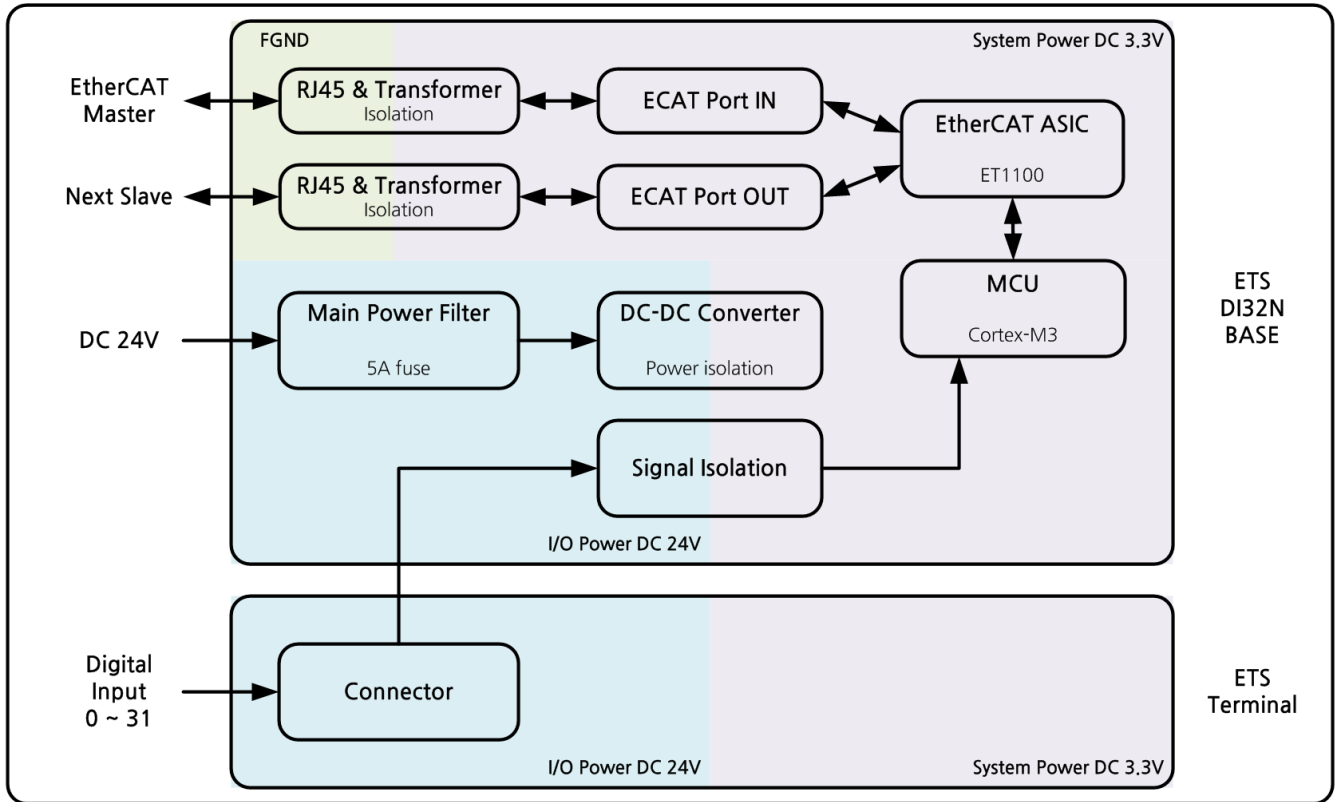
| Contents              | Details  |
|-----------------------|--|
| Dimension             | 180 * 53 * 41 (mm)   |
| Operating Temperature | 0°C ~ 50°C   |
| Storage Temperature   | -20°C ~ 80°C   |
| Humidity              | 5% ~ 90%, non-condensing   |
| Power consumption     | System Power : 47mA @ DC 24V ± 5%<br>I/O Power : 180mA @ DC 24V ± 5% |

**Environmental Specification**

| Contents                        | Details   |
|---------------------------------|---|
| Number of Inputs                | 32 Input  |
| Input type                      | Current Sinking type ( NPN )                          |
| Isolation                       | Photo-coupler ( $V_{iso} = 3,000V_{rms}$ )            |
| OFF State Voltage (logic ' 1' ) | Min. 11V DC ~ Max. 28.8 V DC ( EN 61131-2, type 1/3 ) |
| On State Voltage (logic ' 0' )  | Min. 0V DC ~ Max. 5V DC ( EN 61131-2, type 1/3 )      |
| Input Current                   | Max. 4.56mA per @ 24V DC                              |
| Input Impedance                 | Approx. 5K $\Omega$ ( ±5% )                           |
| Wiring Contact                  | I/O : 3-Pin E-CON / Power : USL-3FBS-2P               |

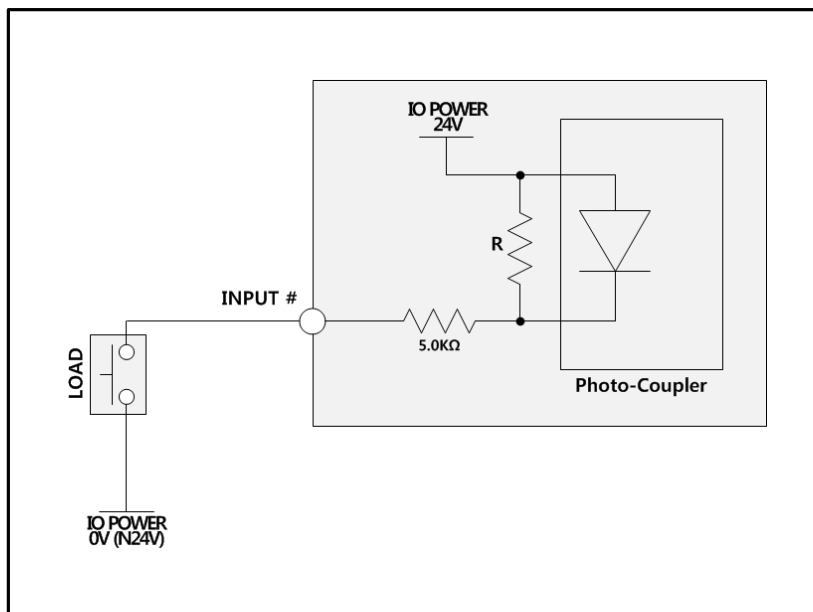
**Digital Input Specification**

**Dimension**

Block Diagram

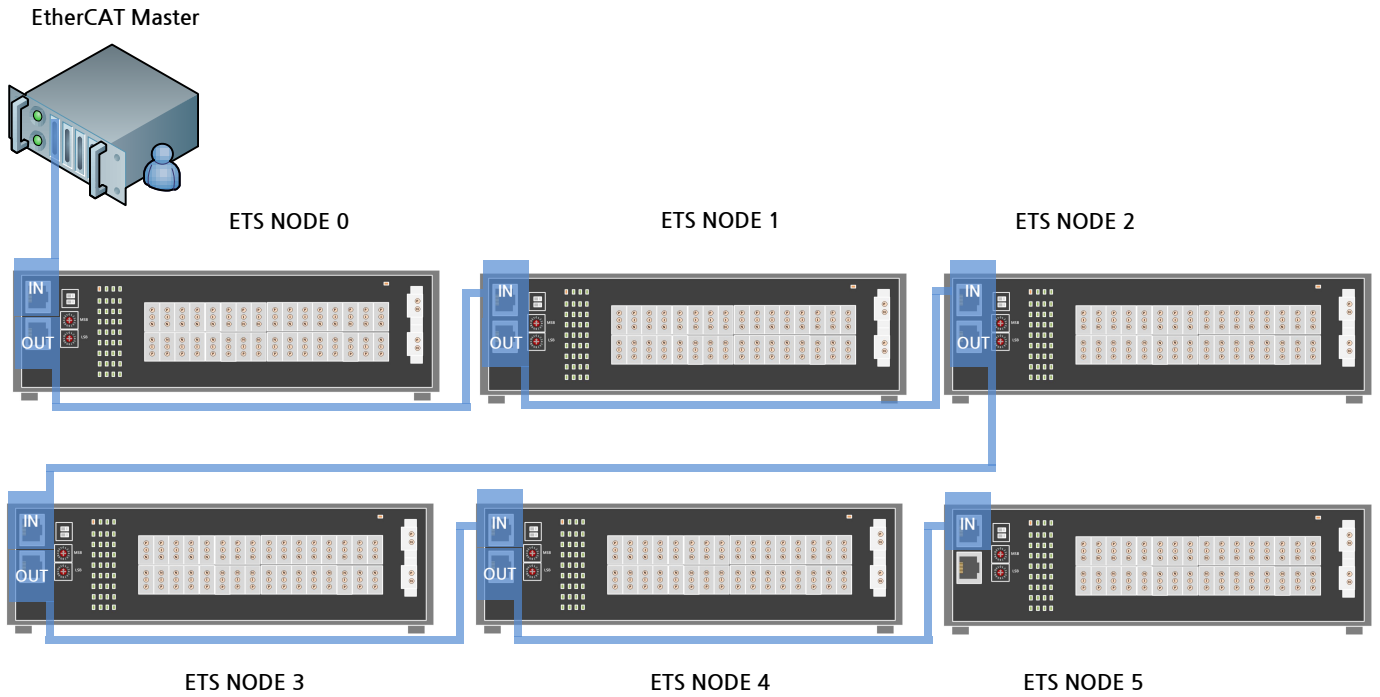


ETS-DI32N-E Block diagram

Circuit Diagram (Digital Input)



Interface Connect

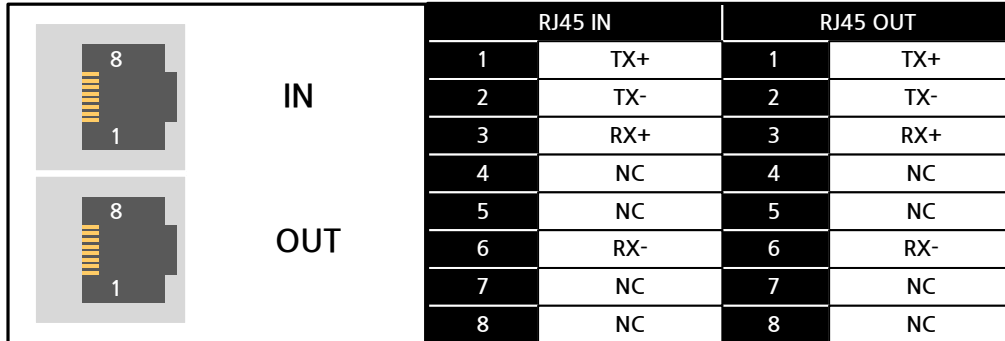


Device ID Setting

|  |                 |                        |
|--|-----------------|------------------------|
|  | NODE ID setting | $I.P = MSB * 16 + LSB$ |
|  | NODE ID range   | 1 ~ 256                |

Connector

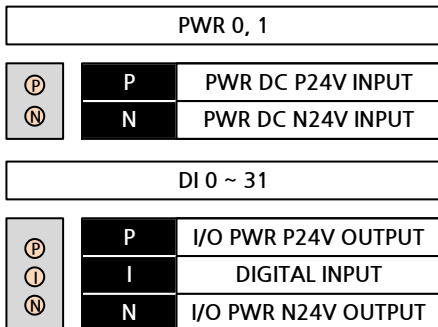
■ RJ45 Connector



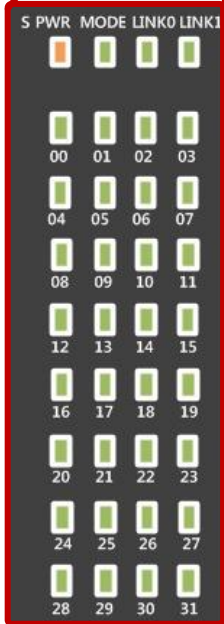
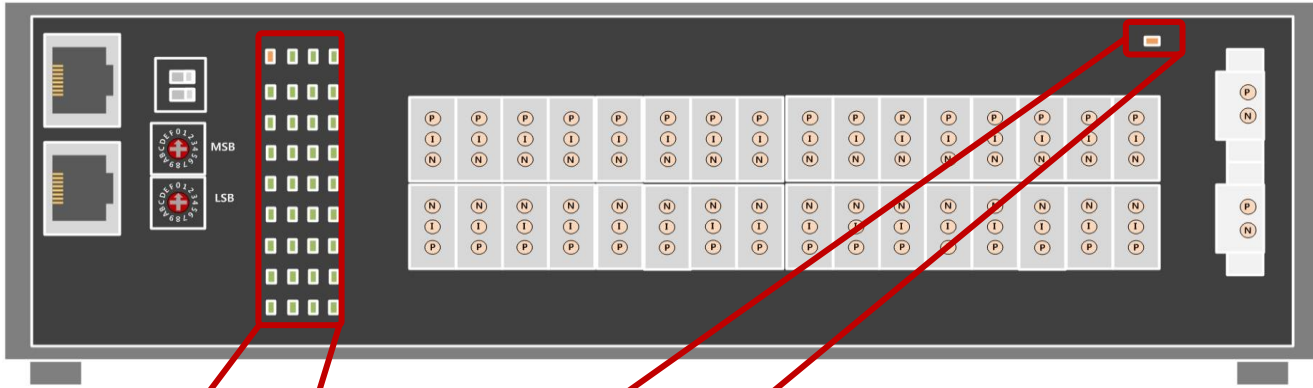
■ Contact Number



■ PIN MAP



Status LED



|           |                       |                  |                               |
|-----------|-----------------------|------------------|-------------------------------|
| IO PWR    | I/O POWER LED         | ON               | DIGITAL I/O POWER(24V DC) ON  |
|           |                       | OFF              | DIGITAL I/O POWER(24V DC) OFF |
| S PWR     | SYSTEM POWER LED      | ON               | SYSTEM POWER(3.3V DC) ON      |
|           |                       | OFF              | SYSTEM POWER(3.3V DC) OFF     |
| MODE      | EtherCAT AL STATE LED | OFF              | INIT                          |
|           |                       | Blinking(slow)   | PRE-OP                        |
|           |                       | Single Flash     | SAFE-OP                       |
|           |                       | ON               | OP                            |
|           |                       | Flickering(fast) | BOOTSTRAP                     |
| LINK 0(1) | LINK 0(1) STATE LED   | Blinking(slow)   | MII Port 0(1) OPEN            |
|           |                       | OFF              | MII Port 0(1) Closed          |
| DI 0-31   | INPUT STATE LED       | ON               | INPUT ON STATE (LOGIC ' 1')   |
|           |                       | OFF              | INPUT OFF STATE (LOGIC ' 0')  |



## Hardware Reference Manual Update List

| No. | Version | Date       | Changes in             |
|-----|---------|------------|------------------------|
| 1   | 1.00    | 2016.03.02 | First Edition          |
| 2   | 1.01    | 2017.10.24 | RJ-45 Connector Update |

# ETS Reference Manual

Copyright holder : COMIZOA CO.,LTD  
Copyright (c) by COMIZOA CO.,LTD. All right reserved.  
2017. 10. 24.



COMIZOA CO.,LTD  
<http://www.comizoa.com>  
Tel) +82 - 42 - 936 - 6500  
Fax) +82 - 42 - 936 - 6507

All the details including figures and programs included in this manual is protected by Korean Copyright.  
Any parts of this manual can be copied or distributed without COMIZOA's permission.